


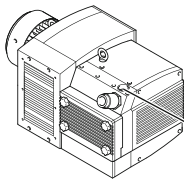







BETRIEBSANLEITUNG
OPERATING INSTRUCTIONS
INSTRUCTIONS DE SERVICE
ISTRUZIONI D'USO
HANDLEIDING
INSTRUCCIONES PARA EL MANEJO
MANUAL DE INSTRUÇÕES
NAUDOJIMOSI INSTRUKCIJA
KASUTUSJUHEND
LIETOŠANAS INSTRUKCIJA
DRIFTSINSTRUKS
DRIFTSINSTRUKTIONER
DRIFTSVEJLEDNING
INSTRUKCJA OBSŁUGI

KEZELÉSI ÚTMUTATÓ
NÁVOD K OBSLUZE
NAVODILO ZA UPORABO
NÁVOD NA OBSLUHU
UPUTE ZA RAD
MANUAL DE OPERATII
TREORACHA OIBRIÚCHÁIN
ΟΔΗΓΙΕΣ ΧΡΗΣΗΣ
EL KITABI
ИНСТРУКЦИИ ЗА ЕКСПЛОАТАЦИЯ
ИНСТРУКЦИЯ ПО ЕКСПЛУАТАЦИИ
取扱説明書
사용설명서
使用说明书


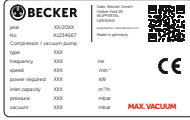

KVT 3.80


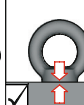


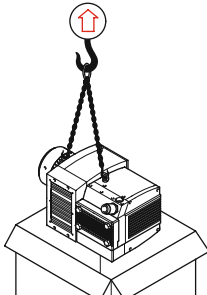
MAKE IT BECKER.





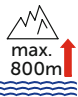
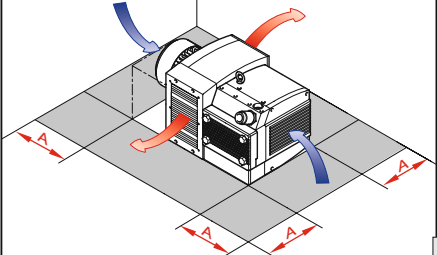
 	
	
 <p>AIR</p>	 
	 

1


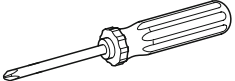

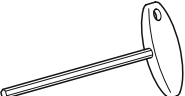

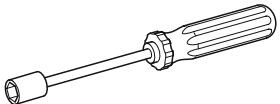
<p>MAX. VACUUM</p>  <p>MAX.</p>		<p>mbar</p>
		<p>m³/h</p>
<p>L_{pA})))</p> <p>DIN EN ISO 11203 Accuracy Class 2 K_{son} = 3 dB(A) l = 1m</p>	<p>L_{pA} = 72 dB(A) - 50Hz L_{pA} = 75 dB(A) - 60Hz</p>	<p>2</p>

			 <p>78-86 kg 172-190 lbs</p>
			

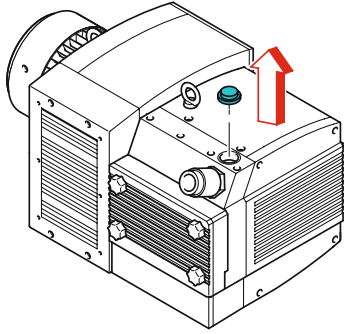
3

<p>A > 100mm A > 4"</p>	 <p>> 5°C/41°F < 45°C/113°F</p>	 <p>max. 90%</p>	 <p>max. 800m</p>
			

4

 <p>No. 2</p>	
 <p>5 mm</p>	
 <p>7 mm</p>	
<p>10 mm</p>	

5



6

MOTOR-PROTECTION

=

50Hz	60Hz
XXX / XXX V	XXX / XXX V
XXX / XXX A	XXX / XXX A

SERVICE FACTOR
 \times
RATED CURRENT

7

optional

Bi-metal

PTC

¹⁾ motor protection switch

8

9

10

0 2 10 [m]

VACUUM

11

BECKER		Color: Becker GmbH Industrie-Post 20 WUTROTTAL Germany Made in Germany		
year	XXX/20XX			
no.	A1234567	Compressor / vacuum pump		
type	XXX	Hz		
frequency	XXX	mm ³		
speed	XXX	kW		
power required	XXX	m ³ /h		
inlet capacity	XXX	mbar		
pressure	XXX	mmHg		
vacuum	XXX	mmHg		

12

Maintenance



13

14

 CLEANING INTERVAL	<p>SUCTION AIR</p>	<p>40h</p> <p>↕</p> <p>200h</p>	 EN149 - FFP3 42 CFR 84 - N100

15

D1 (Pos. 75)

16

optional en option optionale opcional	 <input checked="" type="checkbox"/> KVT 3.80/0 <input checked="" type="checkbox"/> KVT 3.80/6	
--	--	--

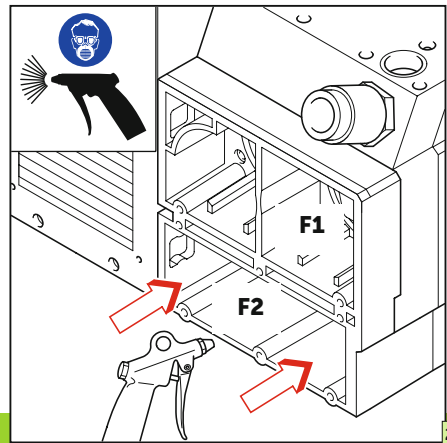
17

D2 (Pos. 104)

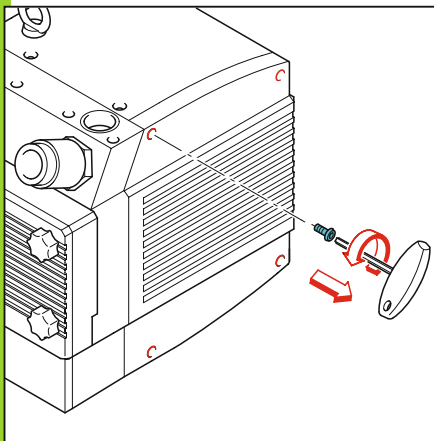
18

F1 (standard) No.: 909507	F1* (polyester) KVT 3.80/6 No.: 909587	F2 (standard) No.: 909510
	Satz / Kit Pos.: 20, 24, 62, 75, 76, 85, 104, 125, 126, 146, 288 No.: 549000 21100	

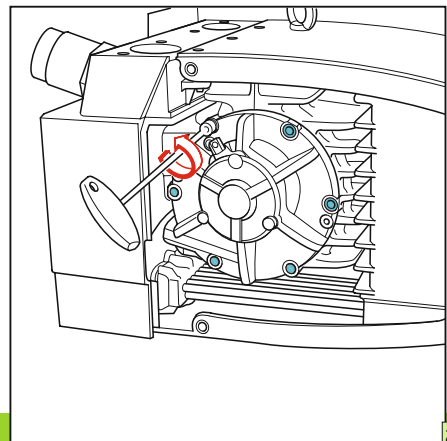
19



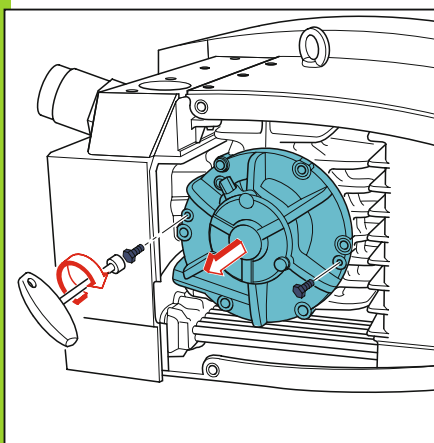
20



21



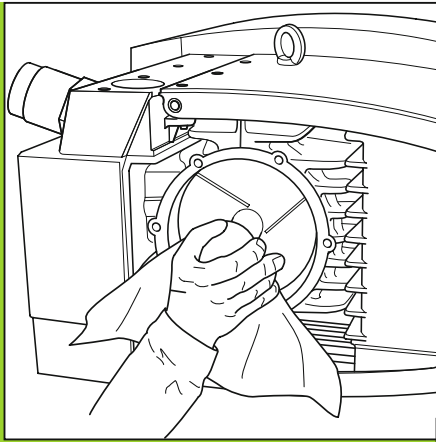
22



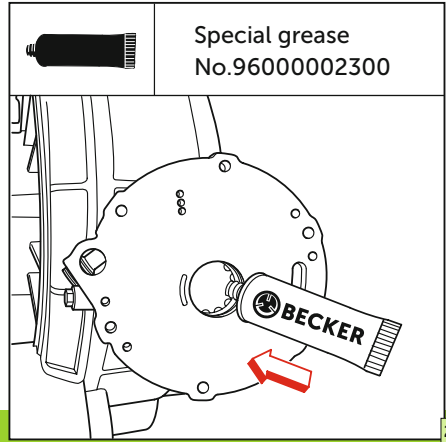
23

3000 h	
	$A_{MAX} = 38mm$ $A_{MIN} = 26mm$ $A_{spr} < 26mm$
KVT 3.80 (standard) KVT 3.80/6	→ No. 90133000004 (SET) → No. 90137900004 (SET)

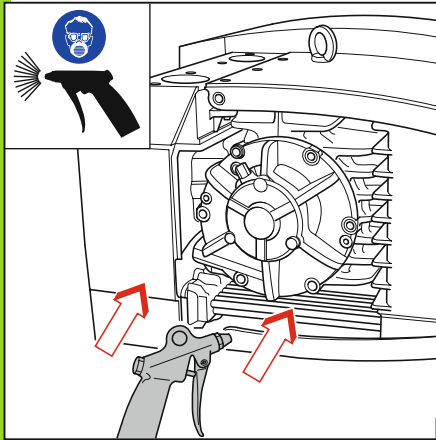
24



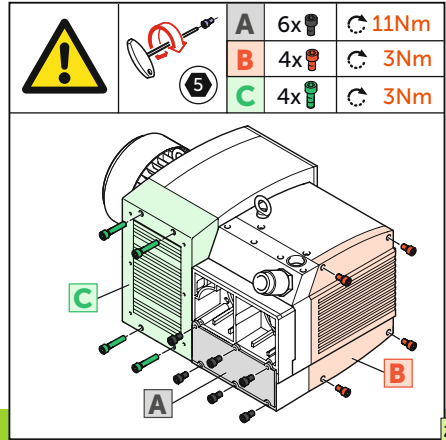
25



26



27



28



29



WWW.BECKER-INTERNATIONAL-SHOP.COM

Gebr. Becker GmbH
Hoelker Feld 29-31
42279 WUPPERTAL
GERMANY
info@becker-international.com
www.becker-international.com





28100021102 | 2020-12-08 | All rights reserved

MAKE IT BECKER.